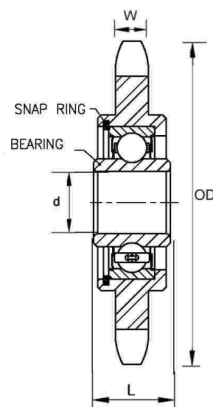


IDLER SPROCKETS

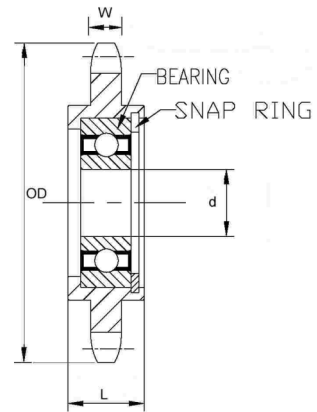
High Speed Ball Bearing

No. of Teeth	Part No.	Chain Pitch	OD	d	L	W	App. Wt. (Lbs.)	Bearing included
17	HB40C17	40	2.97	0.64	0.72	0.284	0.52	203KRR2
18	HB40C18	40	3.14	0.64	0.72	0.284	0.53	203KRR2
13	HB50C13	50	2.91	0.64	0.72	0.343	0.75	203KRR2
15	HB50C15	50	3.32	0.64	0.72	0.343	0.75	203KRR2
17	HB50C17	50	3.72	0.64	0.72	0.343	0.78	203KRR2
13	HB60C13	60	3.51	0.64	0.72	0.459	0.76	203KRR2
15	HB60C15	60	3.98	0.64	0.72	0.459	1.06	203KRR2
1	H B 80C1	80	4.01	0.750	0.55	0.575	1.50	6204-12-2RS
12	HB80C12	80	4.36	0.750	0.55	0.575	1.50	6204-12-2RS
11	HB100C11	100	5.01	1.000	0.59	0.690	2.50	6205-1-2RS
Adapter 5/8-1/2	PFBA10-8	40-60						

H - Denotes hardened teeth.



40-60 Sprockets



#80 and 100 Sprockets